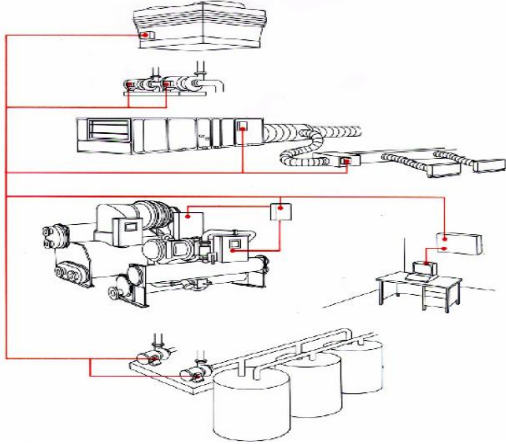


Understanding the Modern HVAC System & Applying the ASHRAE 90.1 Energy Standard to It

How Did We Get Here, Where Are We Going, & What Can I Do With What I've Got?

October 16th at the Indianapolis Power & Light Company Service Center.

Sponsored by:



Reduce Cost of Operation: Learn how to optimize all types of central HVAC systems; everything from single zone to modern Variable Air Volume (VAV) systems with variable speed drive motors.

You will also learn about emerging systems including DOAS, chilled beam, UFAD and displacement ventilation. Not familiar with these terms? Attend and find out what's on the horizon.

We'll show you how to use ASHRAE 90.1 standards to **reduce energy consumption** and improve system operation.

Have you ever wondered if a **heat exchanger** would make sense in your system? We'll give you the equations to crunch the numbers!

After this class, you'll understand how to **improve comfort** by properly setting humidification and dehumidification levels.

Instructor: Mr. Carson has over 30 years experience in designing and trouble-shooting HVAC systems and will be prepared to discuss any aspect of the HVAC system with which he has experience. Bring your questions and problem situations – we have scheduled plenty of time for Q&A!

Training Provided By:

PURDUE
UNIVERSITY

TECHNICAL ASSISTANCE
PROGRAM

When: October 16th, 2008 from 8:00 am to 3:30pm

Where:

The workshop will be held at Indianapolis Power & Light Company's Service Center at 1230 W. Morris St, Indianapolis, IN 46221.

Directions:

From East of Downtown Indianapolis: Take I-70 Westbound to exit 79A, head South on West St., turn right on Morris St. and the service center will be on the right.

From the West: I-70 Eastbound to exit 78, head south on Harding and turn left on to Morris St. The Service Center is on the North side of Morris with a parking lot to the West of the building.

REGISTRATION

Name _____	Registration Fee is \$75 per person.
Title _____	Preregistration Preferred
Organization _____	<input type="checkbox"/> Enclosed is a check to Purdue University
Address _____	<input type="checkbox"/> Company purchase order _____
City _____	<input type="checkbox"/> Please charge my:
State _____ Zip _____	<input type="checkbox"/> VISA <input type="checkbox"/> MC <input type="checkbox"/> AmEx <input type="checkbox"/> Discover
Phone _____	Card # _____
Fax _____	Signature _____
E-mail _____	Print Name _____

I require auxiliary aids/services due to a disability. Please contact me at the above address.
 Purdue University is not responsible for cost due to cancellation. Purdue University is an equal access and equal opportunity institution.

Please mail or fax your registration to:

Nona J. Schaler, CMP; Senior Conference Coordinator; Purdue University; 128 Memorial Mall;
 Stewart Center Room 116; West Lafayette, IN 47907-2034
 Phone: 765-494-2756; Fax: 765-494-0567; E-mail: njschaler@purdue.edu;
www.conf.purdue.edu

WORKSHOP SPONSORS

This event would not be possible without the generous support of the following sponsors

- Indianapolis Power & Light Company
- Purdue Technical Assistance Program
- Indiana Office of Energy & Defense Development
- U.S. Department of Energy.

For more information on the OED and DOE, please visit their website at <http://www.state.in.us/energy/> and <http://www1.eere.energy.gov/industry/bestpractices/index.html> respectively.

QUESTIONS

Please contact Ethan Rogers with the Purdue Technical Assistance Program (TAP) Energy Efficiency Services.

Ethan Rogers, Manager Energy Efficiency Services
 6640 Intech Blvd., Suite 120, Indianapolis, IN 46278-2012
 O: 317-275-6817
 F: 317-275-2375
 E: earogers@purdue.edu
 W: www.Purdue.edu/TAP/ees